

ReVent®

Ventilation Fans

50 CFM

ReVent Ventilation Fan

Model - RVS50

Performance - High airflow 50 CFM, low sound 1.0 sones



ReVent with LED Lighting

Model - RVL50

Performance - High airflow 50 CFM, low sound 1.1 sones

LED - Adjustable 2700/3000/3500 /4000/5000K, 1000L, dimmable



ReVent with Humidity Sensing

Model - RVSH50

Performance - High airflow 50 CFM, low sound 1.0 sones

Humidity - Automatically turns fan on when moisture is present and off when dry

Min/Hour Timer - Can be set 0-60 minutes, runs fan for set time every hour



ReVent with LED Lighting and Humidity Sensing

Model - RVLH50

Performance - High airflow 50 CFM, low sound 1.1 sones

LED - Adjustable 2700/3000/3500 /4000/5000K, 1000L, dimmable

Humidity - Automatically turns fan on when moisture is present and off when dry

Min/Hour Timer - Can be set 0-60 minutes, runs fan for set time every hour



SPECIFICATIONS	Models	RVS50, RVL50, RVSH50, RVLH50
	Exhaust Diameter	4 in (10.2 cm)
	Voltage (volts)	120V
	Frequency (hertz)	60Hz
	Power (watts)	5.5 W (non-LED), 6.6 W (LED)
	Air Flow at 0.1 CW	50 CFM
	Noise (sones)	1.0 Sone (non-LED), 1.1 Sone (LED)
	LED Brightness (lumens)	1000L at 4000K
	LED Color Temp (kelvin)	2700, 3000, 3500, 4000, or 5000K
	LED Power (watts)	13 W
	Shield Size	9 3/4 x 9 3/4 in (24.8 x 24.8 cm)
Housing Length	7 1/4 in (18.4 cm)	
Housing Width	7 1/2 in (19.1 cm)	
Housing Depth	4 3/8 in (11.1 cm)	

performance at 4" ducting

Static Pressure (in wg)	Airflow (cfm)	Sound (sones)	Energy (watts)	Duct Size
RVS50, RVSH50				
0.1	50	1.0	5.5	4 in
0.25	50		10.7	4 in
RVL50, RVLH50				
0.1	50	1.1	6.6	4 in
0.25	47		12.9	4 in



Energy Direct Current

Motor Technology

Automatically adjusts airflow for peak performance

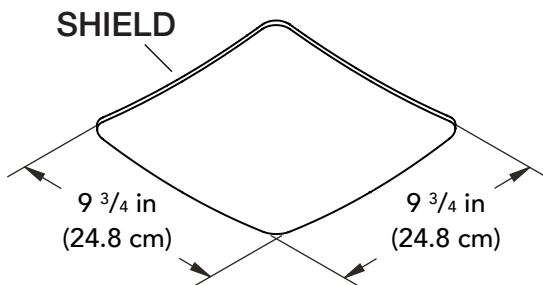
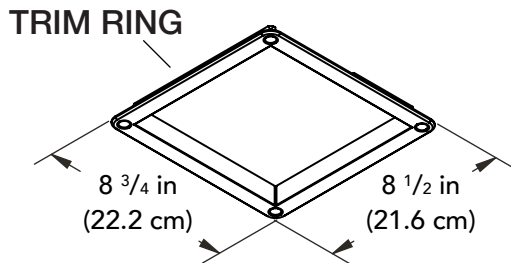
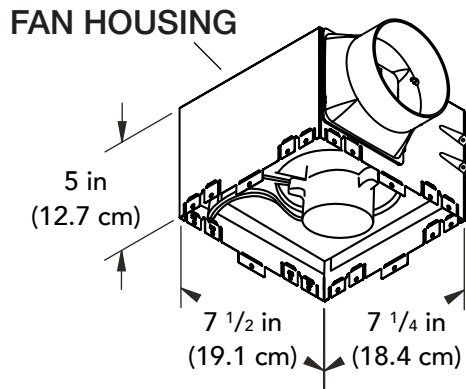
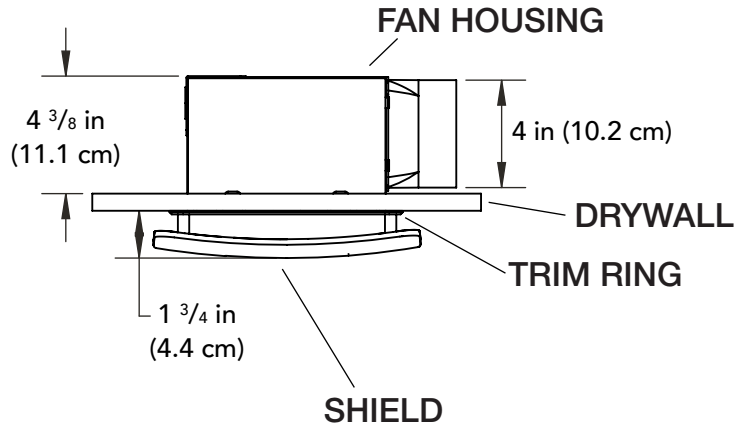
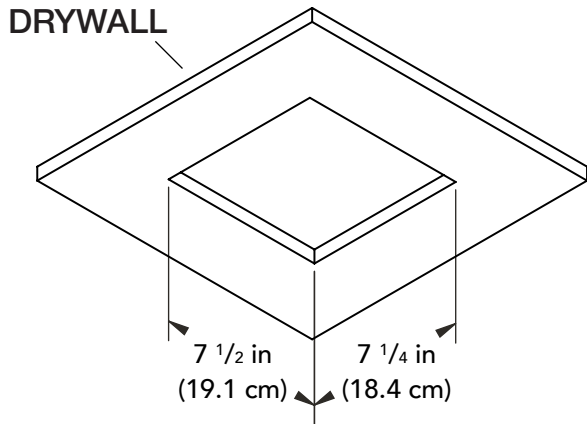
More air for less power

Product of GTR Technologies Inc. All rights reserved.
USA and International Patents and Patents Pending
See Patents at www.ReVentfans.com

1-360-876-2974
1420 Lumsden Road
Port Orchard, WA 98367

May be used to comply with





ReVent®
Ventilation Fans

THIS DRAWING IS THE PROPERTY OF GTR TECHNOLOGY INC. AND TRANSMITTED IN CONFIDENCE. THE REPRODUCTION, USE, OR DISCLOSURE, IN WHOLE OR IN PART, OF THE DESIGN AND DETAILS CONTAINED HEREIN IS PROHIBITED WITHOUT THE WRITTEN PERMISSION OF GTR TECHNOLOGY INC.

PART #

**RVS50, RVL50,
RVSH50, RVLH50**